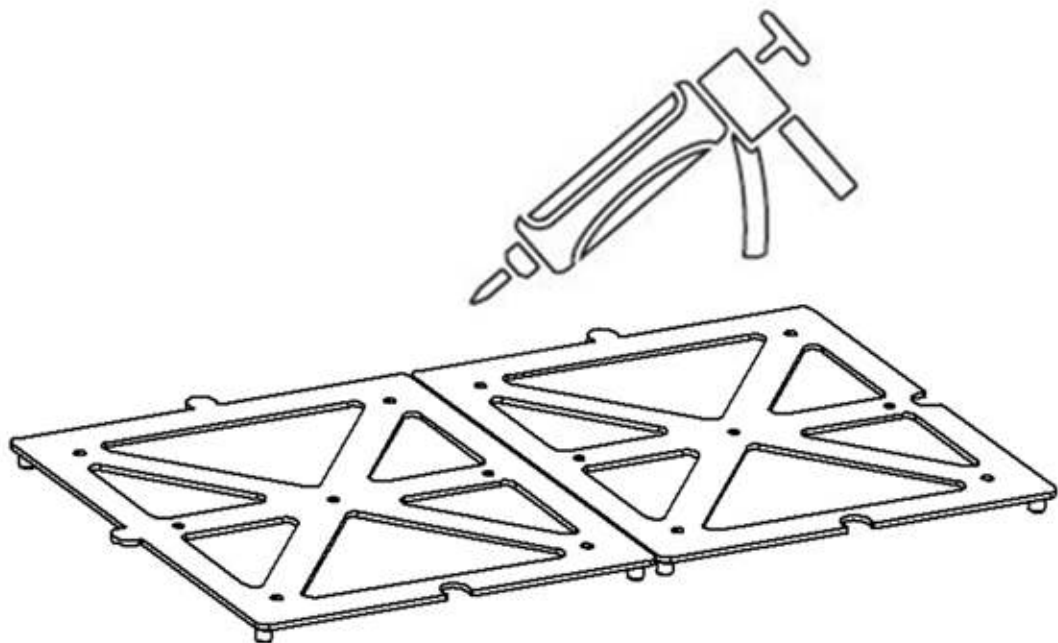
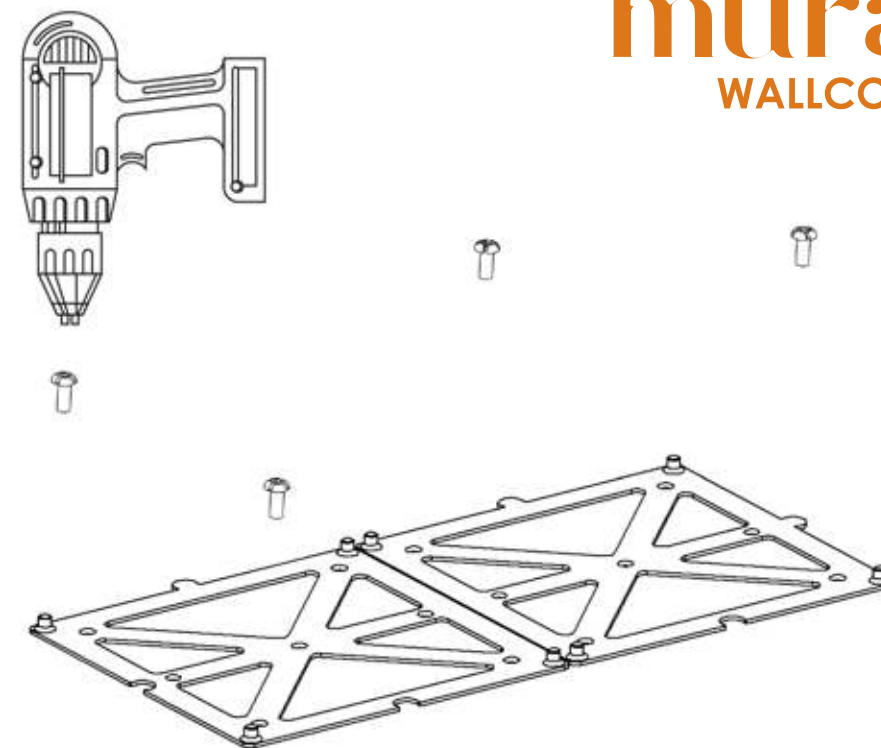


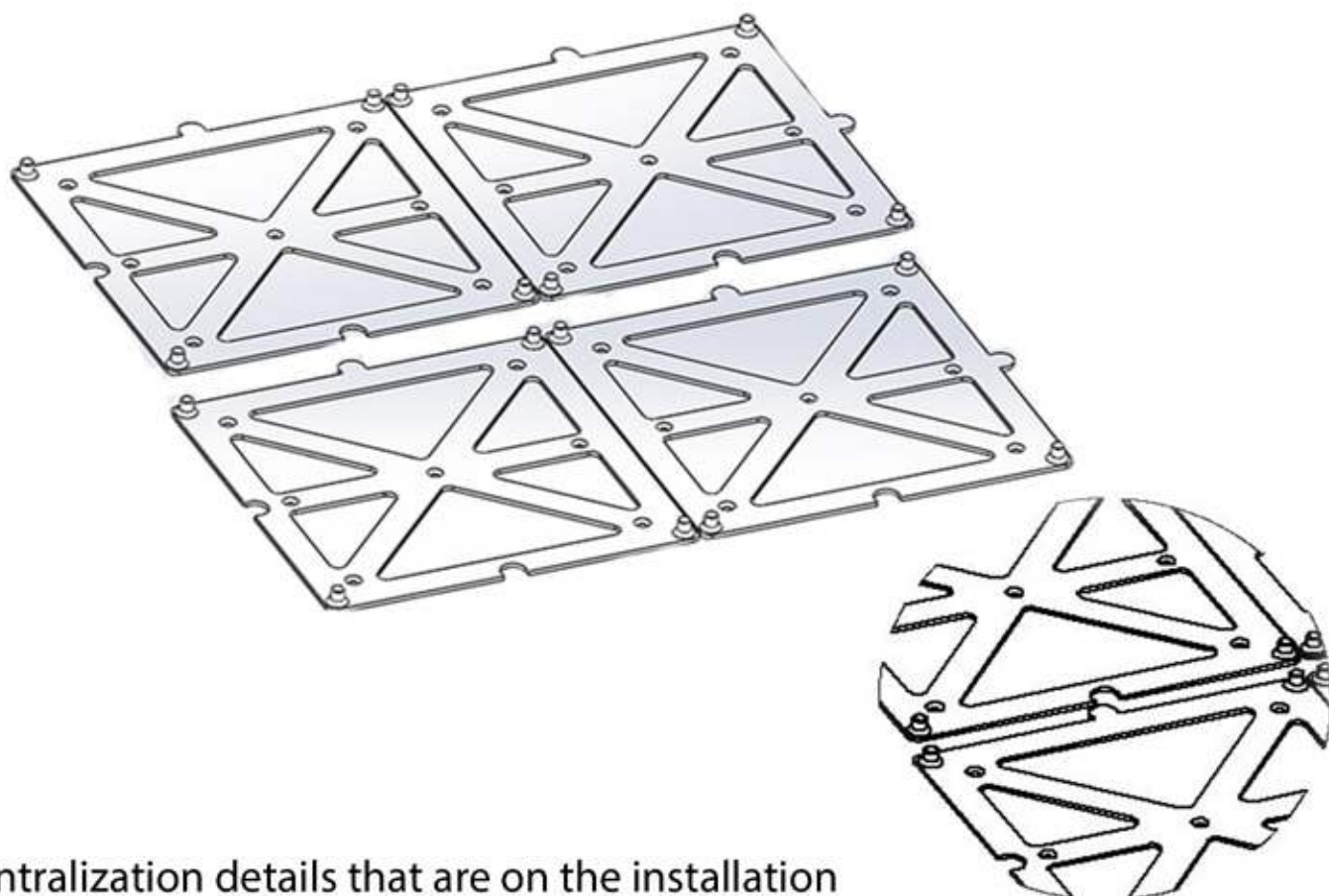
**1**

'Start the pasting process by applying silicone behind the bottom apparatus.'

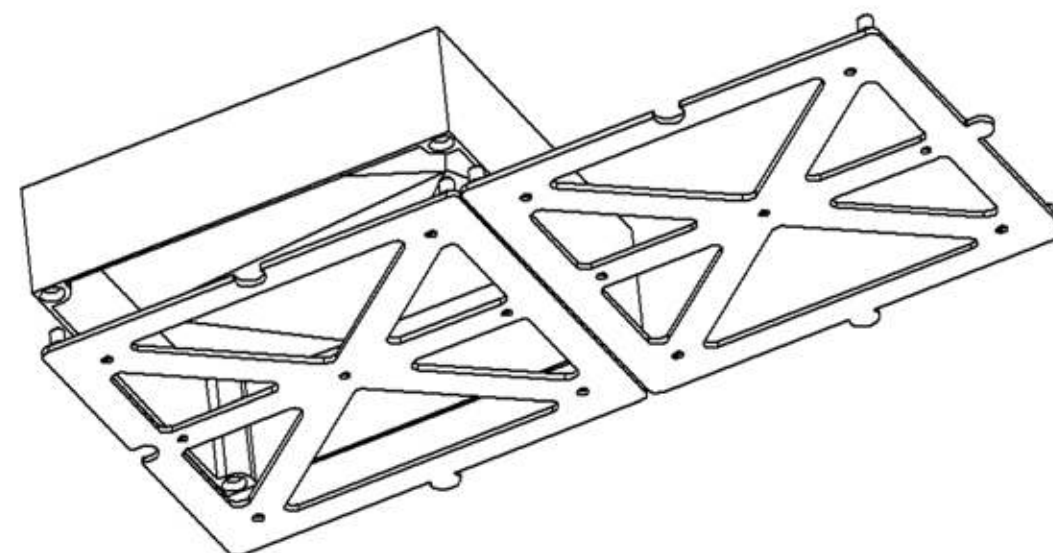
**2**

**murativo**<sup>®</sup>  
WALLCOVERING

Once the pasting process is over , strengthen the apparatus by screwing it from determined points.

**3**

'The centralization details that are on the installation apparats and bottom apparatus are attached to each other.'

**4**

Complete the installation process by attaching the pin space holes that are on the inside of the top parts of the product to the pin bulges that are on the bottom installation apparatus.